



# Entrance Handles 大拉手

NOVAS

诺万五金



## Contents 目录

- Introduction  
• 简介
- Technical Data  
• 技术数据
- Numbering System  
• 命名规则
- Entrance Handles  
• 大拉手系列
- Fixing Options  
• 安装选择
- Drilling Details  
• 钻孔要求
- Handing  
• 左右手判别
- Rose Options  
• 可选底座
- Accessories  
• 配件

## Introduction

Novas entrance handles are designed and manufactured to meet Australian standards of quality. The entrance handle can be supplied with the necessary fittings for fixing to timber, aluminium, or glass doors.

## Technical Data

### Materials

All Novas Entrance Handles are supplied in Grade 304 stainless steel. We can also offer Grade 316 stainless steel upon request. Handles are supplied in 32 mm diameter as standard but are also available in 19mm, 25 mm, 38mm and 50mm depending upon the design and size of the entrance handle.

### Finish

SSS: Satin Stainless Steel  
PSS: Polished Stainless Steel  
PVD: Tarnish Proof Gold

### Maintenance and Appearance

To preserve the appearance of the relevant finish, the following methods should be used: Novas products should be cleaned at regular intervals with a soft grit-free cloth, clean soapy water and wiped dry. Warning do not use a Scotch Brite pad of any type as this will cause excessive wear on the finish.

### Custom Design & Manufacturing

Often clients require that something different whether it be a creative design, particular finish, or a simple extension in length. Our engineers offer the expertise to have these special requirements made to the customers' precise detail. Contact your local representative for further detail.

### Change of Product Specifications

As a result of continuous improvements to our products, we reserve the right to alter standard product specifications and dimensions without prior notice.

## 简介

诺万大拉手系列的设计与生产符合澳大利亚质量标准。各种大拉手系列适合安装于木门、铝门和玻璃门。

## 技术数据

### 材质

诺万大拉手系列产品选用 304 不锈钢制成，也可根据客户要求选用 316 不锈钢。拉手柄的标准直径为 32mm，同时可根据设计可提供直径为 19mm、25mm、38mm 与 50mm 的拉手。

### 饰面

SSS: 亚色不锈钢  
PSS: 镜面不锈钢  
PVD: 耐久金色(真空电镀)

### 保养

产品饰面的保养应遵循以下方法：定期用软布与肥皂水清洁，然后擦干。勿用任何百洁布类产品，否则会造成饰面的过度磨损。

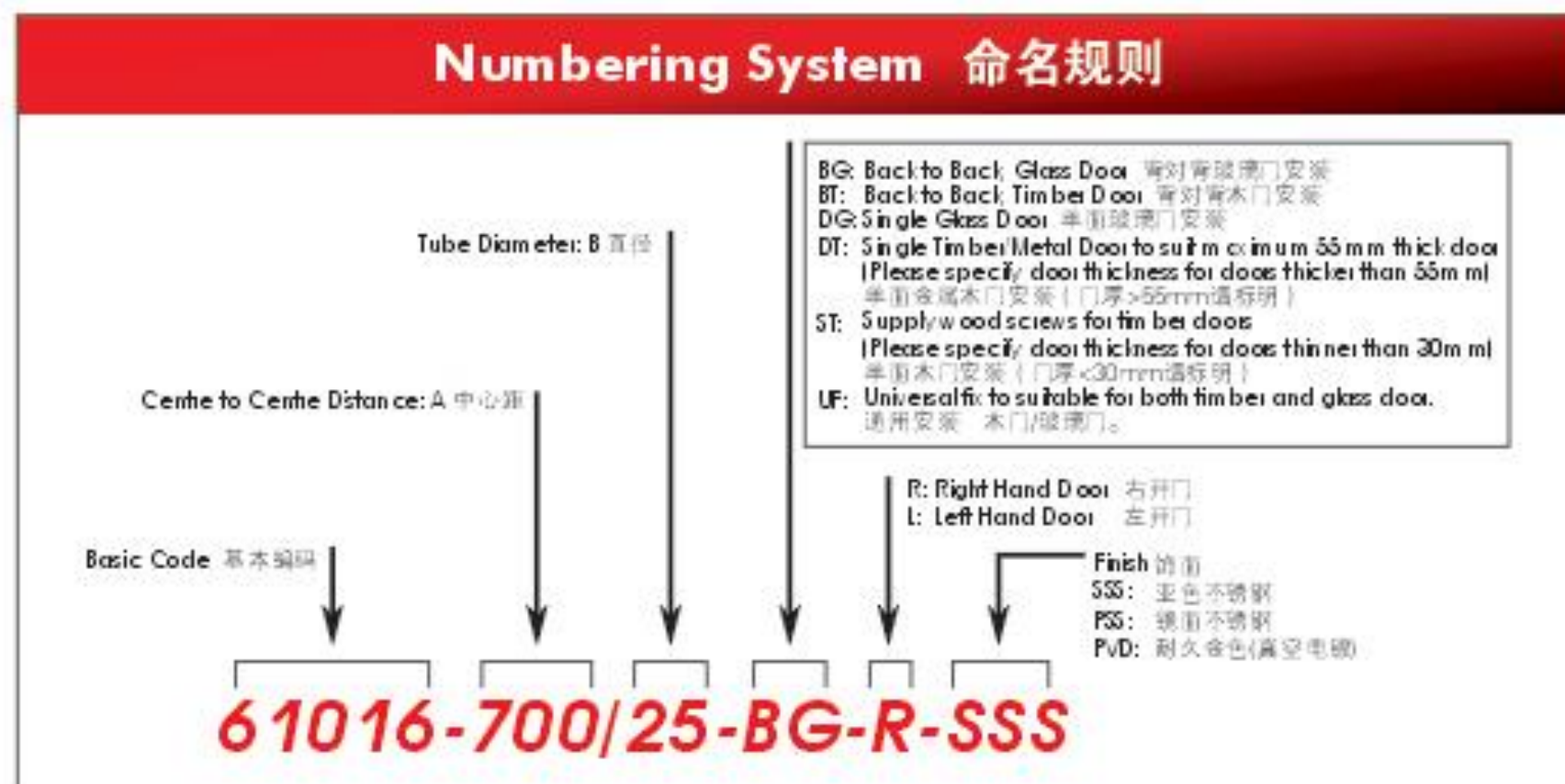
### 特殊设计与定制生产

无论客户对创意设计，饰面或仅仅是产品长度有特殊需求，我们的工程师都会提供特殊的设计来满足这些需求。

### 产品规格变化

由于我们的产品在不断地更新与完善，我们保留更改标准产品的相关规格和尺寸而不预先通知的权利。

## Numbering System 命名规则



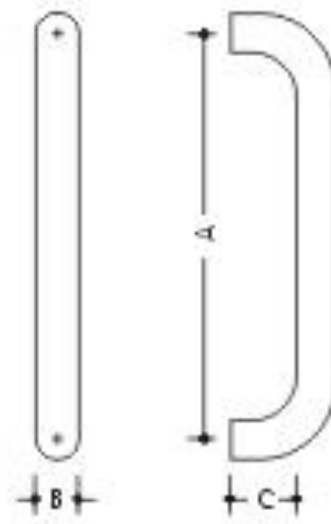
# Entrance Handles

## 61 002 Entrance Handle

Finish SSS/PSS

A	200	300	350	450
B	25	25	25	25
B	-	32	32	32
C	50	50	50	50

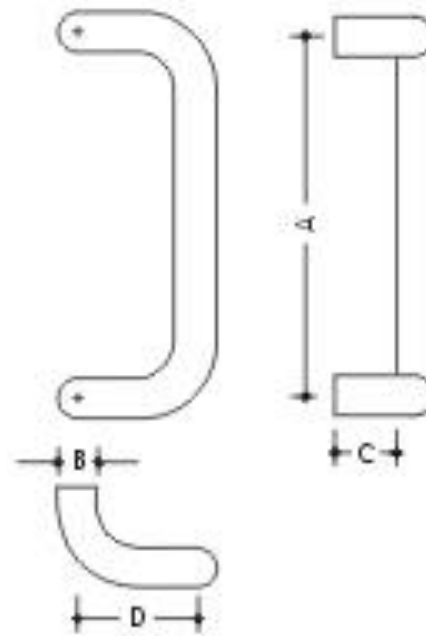
A	500	600	700	900
B	25	25	-	-
B	32	32	32	32
C	50	50	50	50



## 61 004 Entrance Handle

Finish SSS/PSS

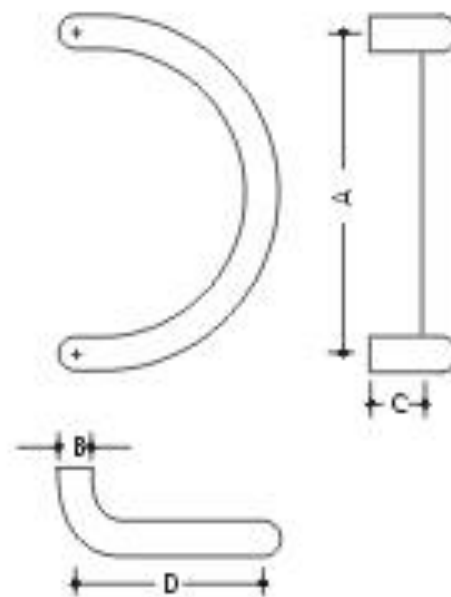
A	300	300	350	450	600
B	25	32	32	32	32
C	50	50	50	50	50
D	75	100	100	100	100



## 61 006 Entrance Handle

Finish SSS/PSS

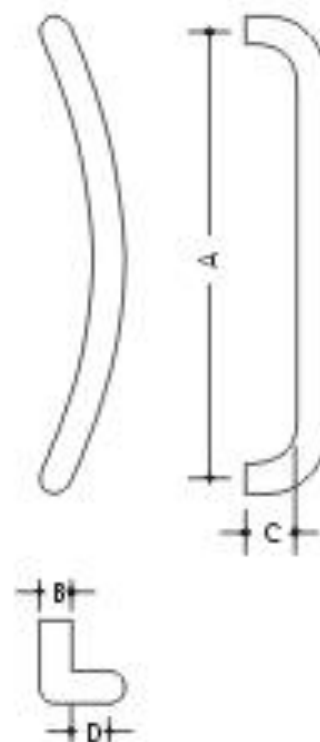
A	300
B	32
C	50
D	200



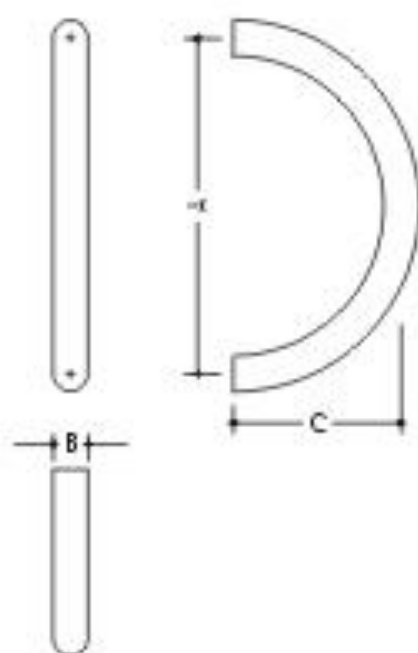
## 61 008 Entrance Handle

Finish SSS/PSS

A	450	600
B	25	25
B	32	32
C	50	50
D	38	75



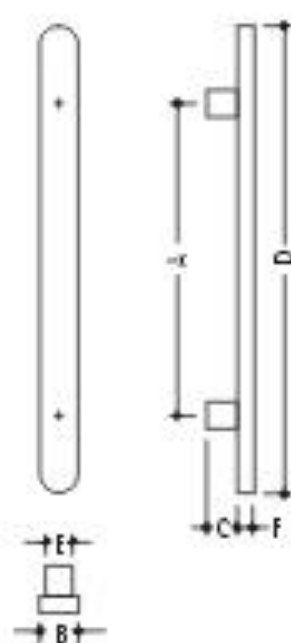
# Entrance Handles



## 61010 Entrance Handle

Finish SSS/PSS

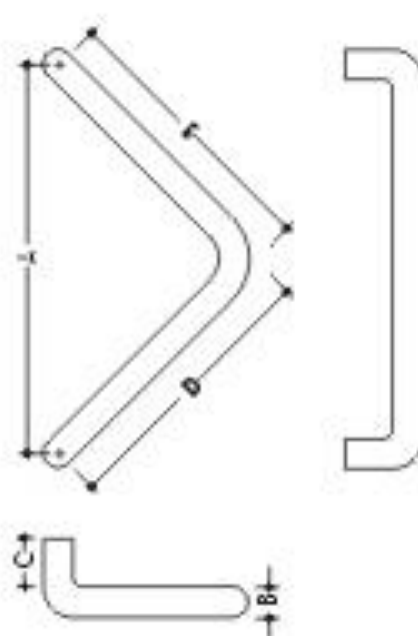
A	300
B	32
C	150



## 61012 Entrance Handle

Finish SSS/PSS

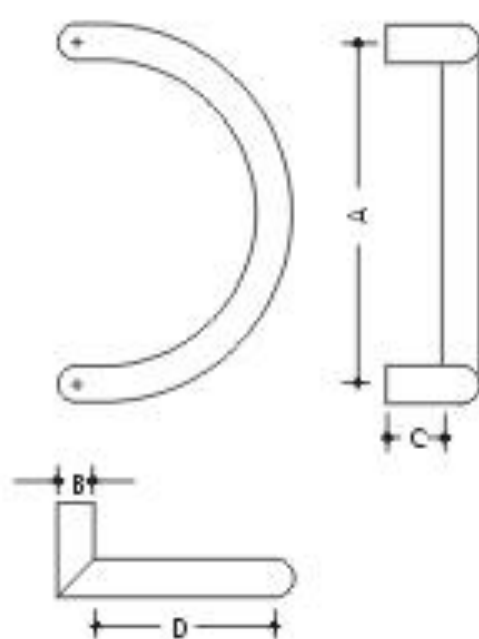
A	300	450
B	38	38
C	50	50
D	450	600
E	25	25
F	25	25



## 61014 Entrance Handle

Finish SSS/PSS

A	354	424
B	25	-
B	32	32
C	50	50
D	250	300
E	250	300



## 61015 Entrance Handle

Finish SSS/PSS

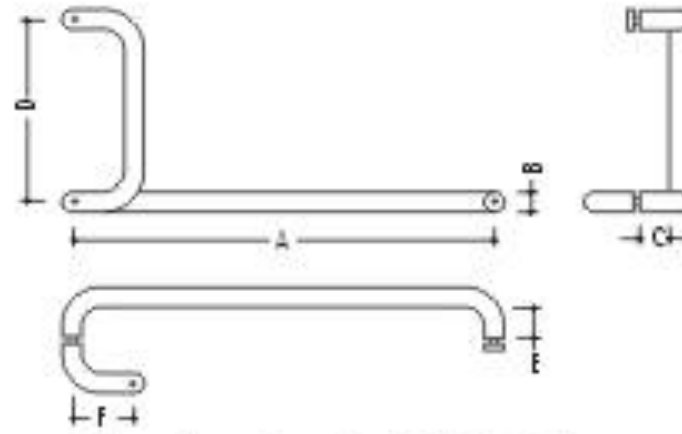
A	300
B	32
C	50
D	150



## 61 01 6 Entrance Handle

Finish SSS/PSS

A	700	700
B	25	32
C	50	50
D	300	300
E	50	50
F	75	100

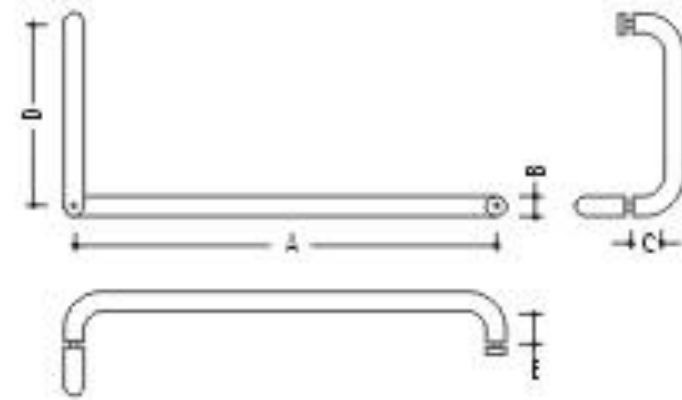


Handing Required 分左右手

## 61 01 7 Entrance Handle

Finish SSS/PSS

A	700	700
B	25	32
C	50	50
D	300	300
E	50	50

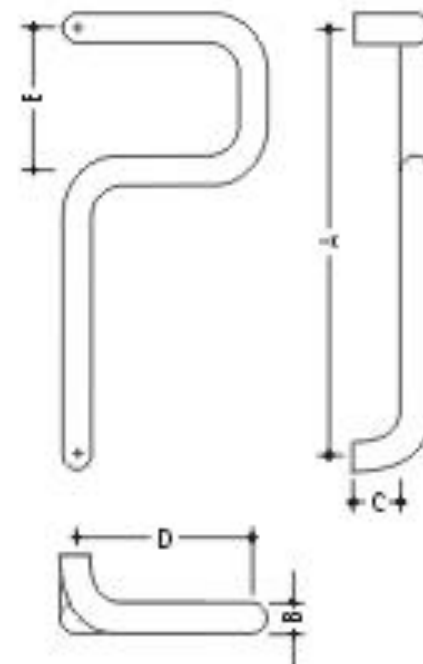
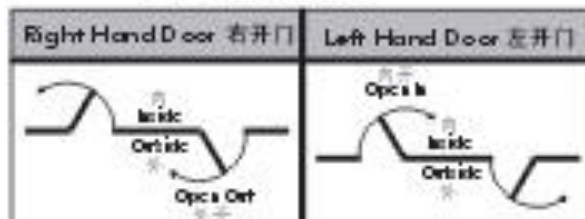


## 61 01 8 Entrance Handle

Finish SSS/PSS

A	450	600
B	32	32
C	50	50
D	150	150
E	200	200

Handing 左右手判别



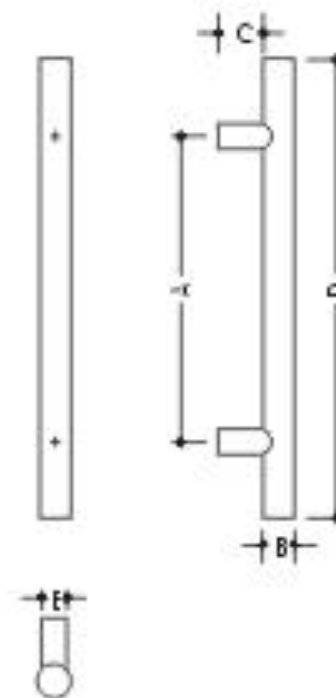
Handing Required 分左右手

## 61 01 9 Entrance Handle

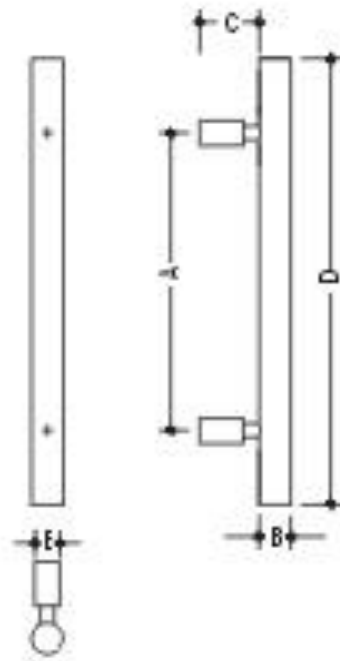
Finish SSS/PSS

A	300	450	600	850	1050	1350	1600	1850
B	32	32	32	32	32	32	32	32
C	45	45	45	45	45	45	45	45
D	450	600	750	1000	1200	1500	1750	2000
E	25	25	25	25	25	25	25	25

A	300	450	600	850
B	25	25	25	25
C	45	45	45	45
D	450	600	750	1000
E	22	22	22	22



# Entrance Handles



## 61 030 Entrance Handle

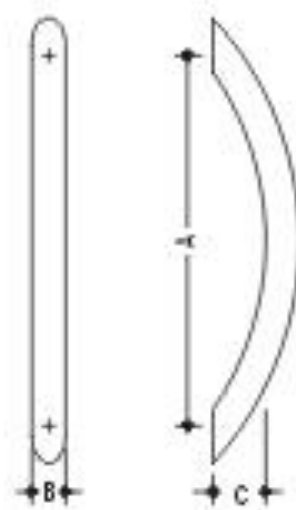
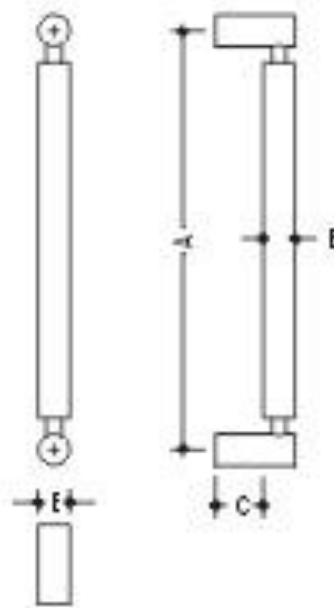
Finish SSS/PSS

<b>A</b>	300	450	600	850	1050	1350	1600	1850
<b>B</b>	32	32	32	32	32	32	32	32
<b>C</b>	60	60	60	60	60	60	60	60
<b>D</b>	450	600	750	1000	1250	1500	1750	2000
<b>E</b>	25	25	25	25	25	25	25	25

## 61 031 Entrance Handle

Finish SSS/PSS

<b>A</b>	300	450	600
<b>B</b>	32	32	32
<b>C</b>	40	40	40
<b>E</b>	32	32	32



## 61 101 Entrance Handle

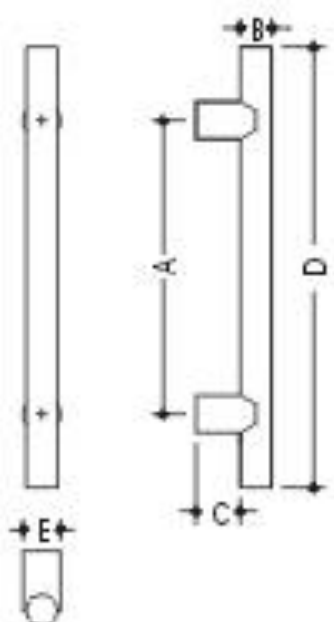
Finish SSS/PSS

<b>A</b>	300	450
<b>B</b>	32	32
<b>C</b>	50	60

## 61 103 Entrance Handle

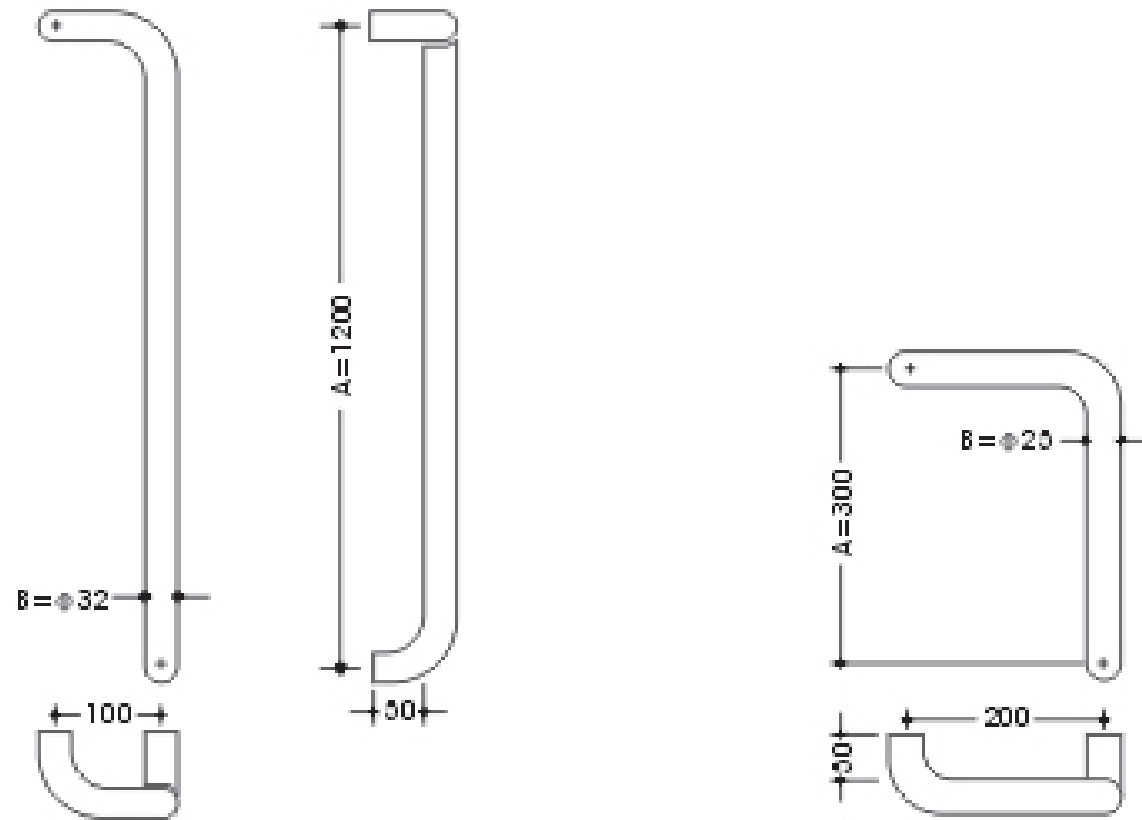
Finish SSS/PSS

<b>A</b>	300	450	600
<b>B</b>	32	32	32
<b>C</b>	40	40	40
<b>D</b>	450	600	750
<b>E</b>	38	38	38



## 61108 Entrance Handle

Finish SSS/PSS



### Fixing Options 安装选择

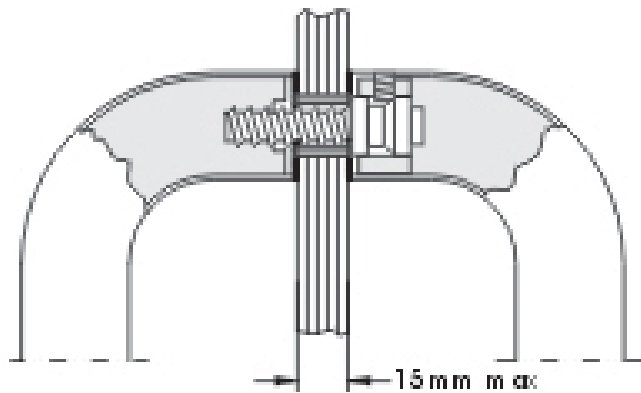
#### Fixing 安装

Entrance Handles are available with fixings to suit timber, metal or glass doors.  
适用于木门、金属门和玻璃门。

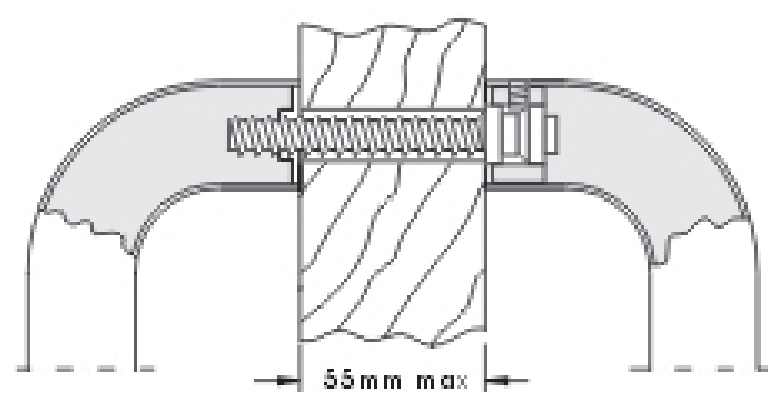
#### Door Thickness 门厚

Standard fixings suit maximum 15mm thick glass doors and maximum 55mm thick timber/metal doors. Additional fixings available to suit special applications upon request.  
适用于最大15mm玻璃门，适用于最大55mm木门和金属门，特殊规格可定制。

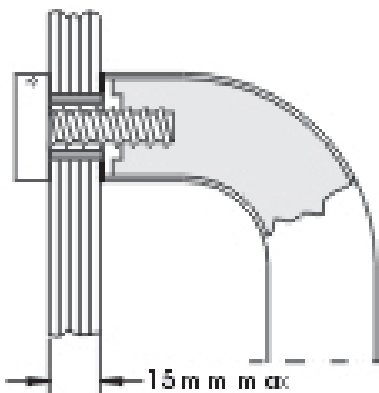
#### BG Back to Back Fixing, Glass Door 背对背玻璃门安装



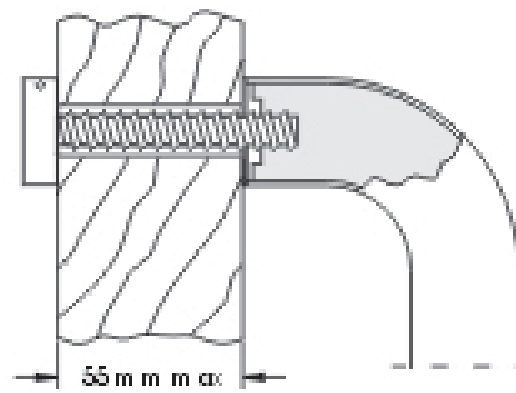
#### BT Back to Back Fixing, Timber/Metal Door 背对背木门/金属门安装



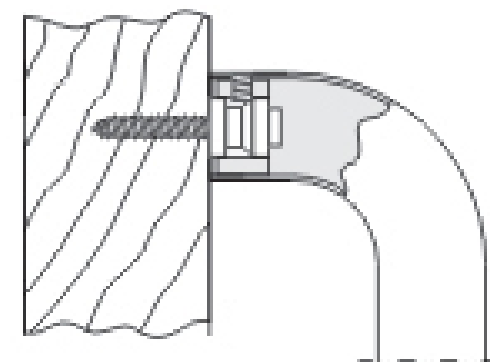
#### DG Single Disk Fixing, Glass Door 单面玻璃门安装



#### DT Single Disk Fixing, Timber/Metal Door 单面木门/金属门安装



#### ST Single Fixing, Timber Door 单面木门安装



#### UF Universal Fixing: suitable for both timber and glass door. 通用安装：木门/玻璃门。



Long bolt X 2  
长螺栓X2



Nylon Washer X 4  
尼龙垫圈X4



Nylon Bush X 2  
尼龙套X2

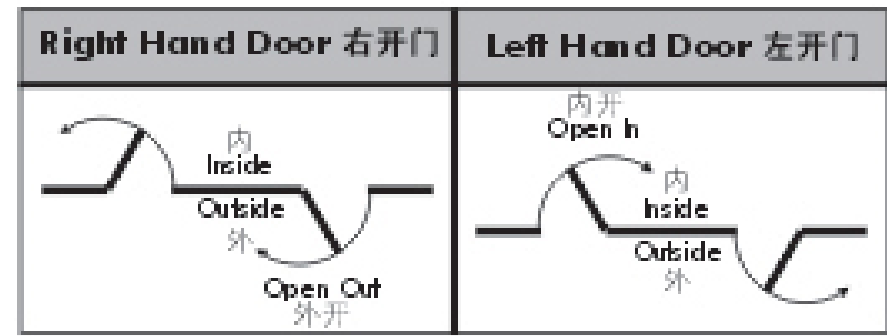


# Entrance Handles

## Drilling Details 钻孔要求

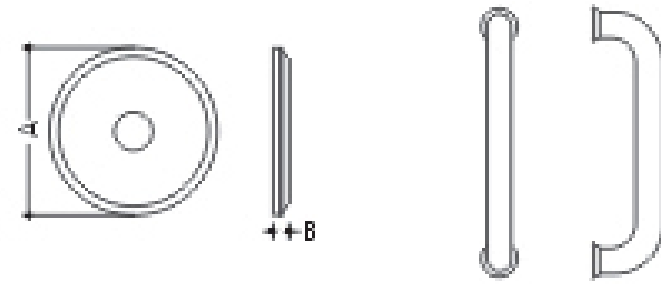
Tube Size 管径	Bolt Size 螺栓	Hole Size 钻孔尺寸	
		Glass Door 玻璃门	Timber/Metal Door 木门/金属门
25	M8	Φ 12	Φ 10
32	M8	Φ 12	Φ 10
38	M8	Φ 12	Φ 10
50	M8	Φ 12	Φ 10

## Handing 左右手判别



## Rose Options 可选底座

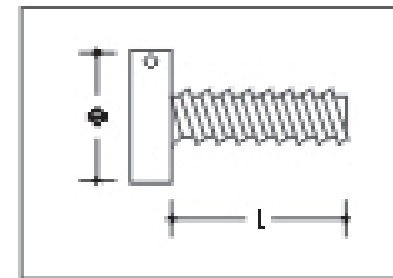
Tube Size 管径	A	B	Rose Cat No. 底座编号
19	25	3	61-RS25
25	32	3	61-RS32
32	38	3	61-RS38
38	50	3	61-RS50



## Accessories 配件

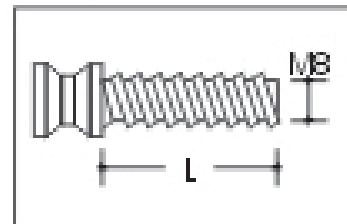
Fixing Disk 装饰盖

Disk Dia 装饰盖直径	Door Thickness Up to 15mm (L=25mm) 门厚	Door Thickness Up to 55mm (L=65mm) 门厚	Door Thickness Up to 100mm (L=110mm) 门厚
Φ25	61-FD2515	61-FD2555	61-FD25100
Φ32	61-FD3215	61-FD3255	61-FD32100
Φ38	61-FD3815	61-FD3855	61-FD38100
Φ50	61-FD5015	61-FD5055	61-FD50100



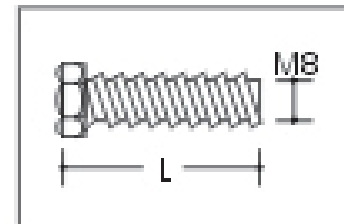
## Accessories 配件

Fixing Bolt 安装螺栓



To suit Φ25 handle only  
仅适用于 Φ25 拉手

L 长度	Door Thickness 门厚	Cat No. 编号
25mm	up to 15mm	61-FBP25 15
65mm	up to 55mm	61-FBP25 55
110mm	up to 100mm	61-FBP25 100



To suit Φ32, Φ38, Φ50 handles  
适用于 Φ32、Φ38、Φ50 拉手

L 长度	Door Thickness 门厚	Cat No. 编号
25mm	up to 15mm	61-FBH25 15
65mm	up to 55mm	61-FBH25 55
110mm	up to 100mm	61-FBH25 100

## Contact:

Nova Hardware (Shanghai) Co., Ltd.  
402/Bld 4, 1221 Yanan Xi Road,  
Shanghai 200050, China  
Tel: 86-21-6252 9138  
Fax: 86-21-6252 7978  
Email: sales@nova-hardware.com  
Web: www.nova-hardware.com.cn

## 联系方式:

上海诺万五金有限公司  
上海市延安西路1221号4号楼402室  
邮编: 200050  
电话: 86-21-6252 9138  
传真: 86-21-6252 7978  
电邮: sales@nova-hardware.com  
网址: www.nova-hardware.com.cn

## Distributor:

