



N O V A S A R C H I T E C T U R A L

# DOOR SEALS

2016





NOVAS ARCHITECTURAL

NOVAS Architectural was founded in 1996 with the objective to develop a complete Architectural Hardware package that offers innovative design, whilst at the same time providing practical solutions to end clients within a highly competitive environment.

NOVAS Architectural continues to look for competitive advantage and realising many architects and end clients want to make a statement with their hardware design. NOVAS offers the ability to provide custom made solutions for entrance handles, lever designs, bathroom accessories etc. As well as providing auxiliary supporting products such as hinges, door stops, door closers.

NOVAS Architectural is excited to now offer a concise range of seals for acoustic, fire and energy efficiency applications. Our products are manufactured with the highest quality materials and use outstanding design and manufacture. This ensures products that will perform as designed, are maintenance free and provide exceptional durability. NOVAS Seals are designed to meet some of the most rigorous International Standards and Building Codes. NOVAS Seals, in the main, have been tested independently and to relevant Australian and New Zealand Standards. Specifiers should determine the suitability of products shown or contact Novas for assistance.

Door Seals form an integral part of any Commercial or Apartment entry, protecting the occupants from the elements, smoke, noise and fire. Novas Door Seals, another example of Leading by Design.



## What is Door Sealing

### Nature of Problem

For doors to open and close easily, they must have gaps between the edges of the door frame and floor. However, these necessary gaps also allow the intrusion of undesirable objects such as:

- Air Flow Noise, Traffic Noise
- Smoke and Fire
- Rain water
- Hot air
- Cold wind
- Light
- Odour
- Insects and vermin
- Dust

At the same time, they allow the leakage of:

- Air conditioning's cool or hot air
- Light

### Solution

The solution is to select appropriate door seal product to seal the gaps around door without impeding its normal use. NOVAS door seal products is an effective sealing product. NOVAS seals are frequently multi-purpose, effectively sealing gaps to prevent many of the above intrusions and leakages. Properly selected and fitted, they can provide a complete and continuous seal for doors without impeding the doors normal function.

### Major Materials

NOVAS seals use standard materials:

#### Aluminium

Aluminium surface are anodised in a clear coat ( 15 microns ).

#### PVC

Virgin PVC is used. When PVC is exposed to sunlight, a UV inhibitor is added. Service temperature ranges from -5°C to 70°C.

#### Silicon

Comparing to other soft material, silicon can withstand extreme heat and cold. Service temperature ranges from -60°C to 230°C.

### Installation

#### Screwed

When NOVAS seals are fixed with screws, colour matched self-tapping screws and accessories are included.

#### Adhesion

When NOVAS seals are fixed by adhesion, adhesive tape is provided in the appropriate locations.

### Standards and approvals

NOVAS Door Seals are designed and manufactured to meet a number of International Standards and Building Codes. The majority of the seals contained herein meet ISO, Australian and New Zealand Standards and Building Codes. These have in some cases been tested in house and independently to meet these relevant standards. All Seals in this catalogue are 'Deemed to Satisfy' the relevant sections of the Building Code of Australia.

### Adjustability

Many of the NOVAS seals have some adjustability and they can be adjusted without removal of the door.

### Door Seal Sizes

NOVAS seals are available in a range of sizes. Please refer to price list.

### Door Seal Sets

Perimeter seals are available in standard pre cut lengths for single and double doors:

Single Door Set:	1 x 1000mm, 2 x 2100mm
Double Door Set:	3 x 2100mm
Long Single Door Set:	1 x 1000mm, 2 x 2750mm
Long Double Door Set:	1 x 2000mm, 2 x 2750mm

### Guarantee

NOVAS door seals are guaranteed for 2 years from the date of purchase against faulty workmanship and materials, provided seals are installed as per the manufacturer's installation instructions. Faulty goods will be replaced.

All technical data and recommendations are provided in good faith but without warranty. Users need to independently determine the suitability of the various seals for their purposes. NOVAS will not be held liable for a fault with a product that has been used in an application that it is not designed for.

### Product Series

The products in this catalogue are subject to change, substitution or deletion without prior notice. We are not responsible for any error or omission.

### Copyright

The Trade name "NOVAS Architectural" and its registered trademark remain the property of Nova Hardware Pty Ltd.

Product numbers, drawings and technical details are copyright and cannot be reproduced without written consent.



## BOTTOM DOOR SEALS

### NHMDBS — MORTICED BOTTOM DOOR SEAL

A medium duty fully automatic door seal that is morticed into the bottom of the door. It is operated by pressure on an actuator that operates the internal mechanism. Silicon rubber gasket allows this seal to be used in fire door applications.

This seal can also be fitted into a hollow bottom section of an aluminium door.

**Min / Max Gap:** 3mm / 15mm

**Location:** Single and double door, butt hinged.

**Stocked Seal Sizes:** 600mm, 820mm, 920mm, 1070mm, 1220mm. Other sizes may be available upon request. Maximum cutback on each seal 100mm.

**Standard Finish:** Clear Anodised Aluminium.

**Seal Material:** Grey Silicon Rubber

**Adjustment:** Adjustable strike block screw.

**Fixing Method:** Concealed in Mortice pocket, stainless steel fixing plates. Screws supplied.

**Fixing Plate Dimensions:** 23mm wide, 60mm high, 1.2mm thick.

**Durability:** Tested to over 1,000,000 operating cycles without failure.

#### Applications:

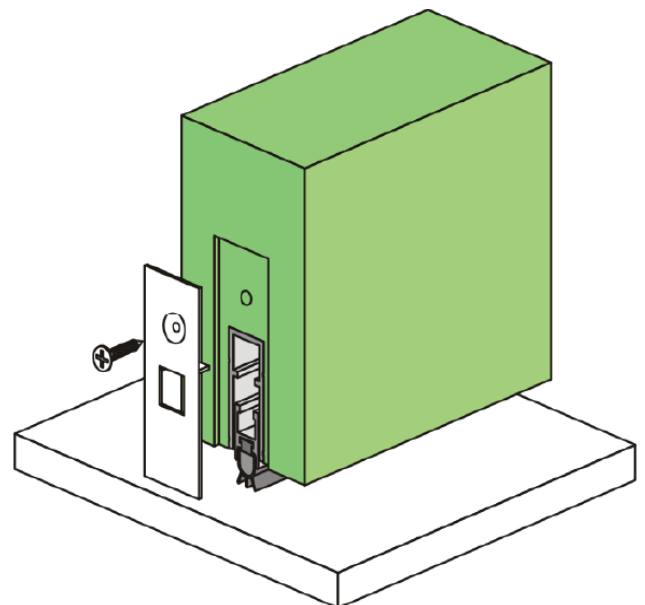
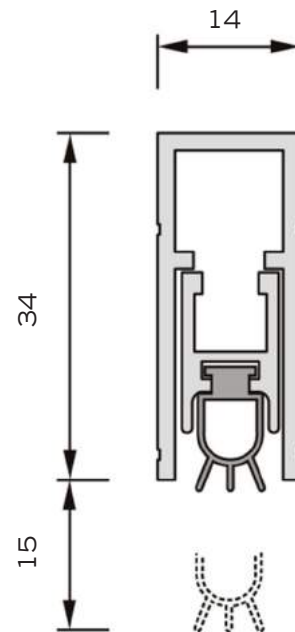
Medium temperature smoke  
Draughts and air flow noise  
Fire

#### Approvals:

**Fire and Smoke:** Conforms to BCA 2012  
Spec. C3.4. Sec 3.2 ( c )  
**Deemed to Satisfy Provisions**

Tested to AS1530.4—2005.

**Acoustics:** Conforms to Class 2-9 Buildings  
BCA 2012 Sec.F5.5 ( b )  
**Deemed to Satisfy Provisions**





## BOTTOM DOOR SEALS

### NHFFDBS — FACE FIXED DOOR BOTTOM SEAL

A medium duty fully automatic door seal that is morticed into the bottom of the door. It is operated by pressure on an actuator that operates the internal mechanism. Silicon rubber gasket allows this seal to be used in fire door applications.

This seal can also be fitted into a hollow bottom section of an aluminium door.

**Min / Max Gap:** 3mm / 13mm

**Location:** Single and double door, butt hinged.

**Stocked Seal Sizes:** 600mm, 820mm, 920mm, 1070mm, 1220mm. Other sizes may be available upon request. Maximum cutback on each seal 100mm.

**Standard Finish:** Clear Anodised Aluminium.

**Seal Material:** Grey Silicon Rubber

**Adjustment:** Adjustable strike block screw.

**Fixing Method:** Face Fixed to bottom of door stainless steel escutcheon plates. Screws supplied.

**Fixing Plate Dimensions:** 23mm wide, 60mm high, 1.2mm thick.

**Durability:** Tested to over 1,000,000 operating cycles without failure.

#### Applications:

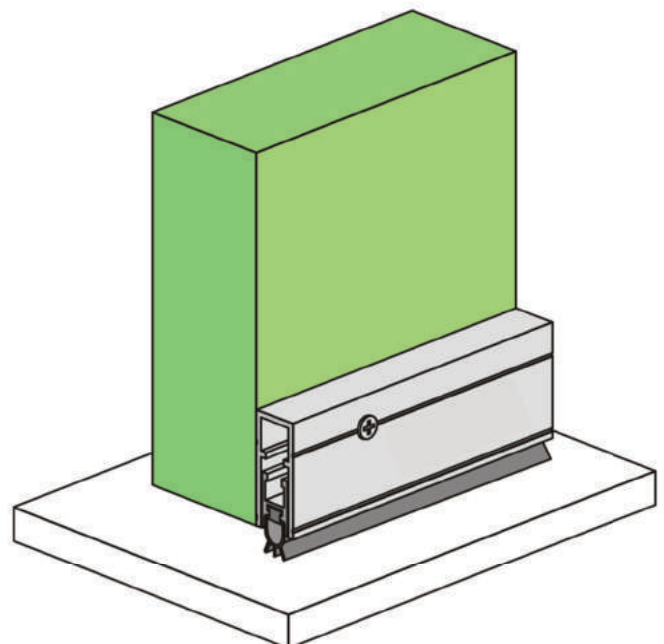
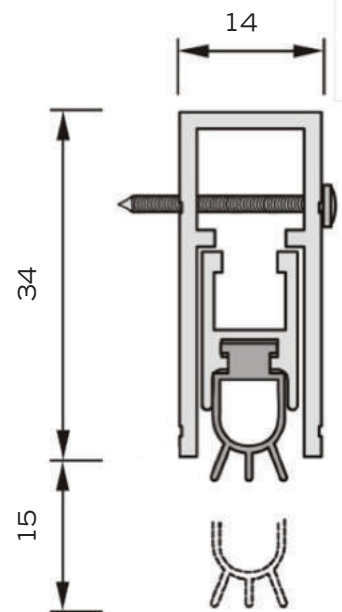
Medium temperature smoke  
Draughts and air flow noise  
Fire

#### Approvals:

**Fire and Smoke:** Conforms to BCA 2012  
Spec. C3.4. Sec 3.2 ( c )  
**Deemed to Satisfy Provisions**

Tested to AS1530.4—2005.

**Acoustics:** Conforms to Class 2-9 Buildings  
BCA 2012 Sec.F5.5 ( b )  
**Deemed to Satisfy Provisions**





## BOTTOM DOOR SEALS

### NHHDBS — HEAVY DUTY BOTTOM DOOR SEAL

NHHDBS is fully automatic door bottom seal that is spring loaded, fixed to the base of the door to lift clear of the floor as soon as the door is operated.

When the door closes, pressure on an adjustable actuator operates the internal mechanism which lowers the seal back to the floor.

**Min / Max Gap:** 3mm / 13mm

**Location:** Single and double door, butt hinged.

**Stocked Seal Sizes:** 600mm, 820mm, 920mm, 1070mm, 1220mm. Other sizes may be available upon request. Maximum cutback on each seal 100mm.

**Standard Finish:** Clear Anodised Aluminium.

**Seal Material:** Grey Silicon Rubber

**Adjustment:** Adjustable strike block screw.

**Fixing Method:** Concealed in Mortice pocket, stainless steel fixing plates. Screws supplied.

**Fixing Plate Dimensions:** 23mm wide, 60mm high, 1.2mm thick.

**Durability:** Tested to over 1,000,000 operating cycles without failure.

#### Applications:

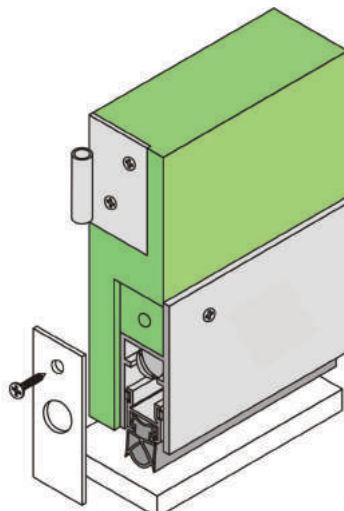
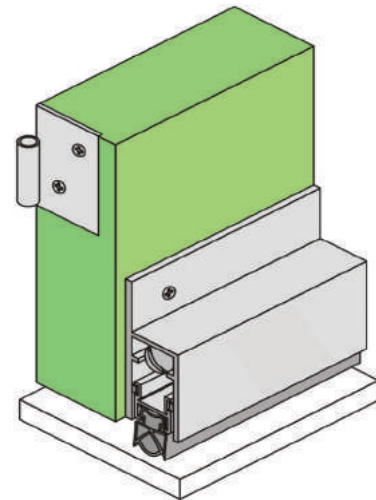
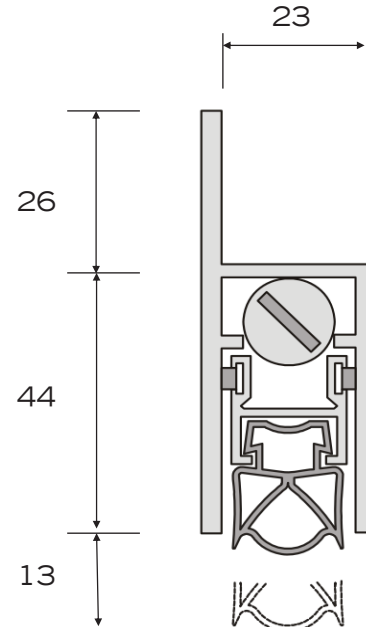
Medium temperature smoke  
Draughts and air flow noise  
Fire

#### Approvals:

**Fire and Smoke:** Conforms to BCA 2012  
Spec. C3.4. Sec 3.2 (c)  
**Deemed to Satisfy Provisions**

**Tested to AS1530.4—2005.**

**Acoustics:** Conforms to Class 2-9 Buildings  
BCA 2012 Sec.F5.5 (b)  
**Deemed to Satisfy Provisions**





## PERIMETER DOOR SEALS

### NHCPS — COMPACT PERIMETER DOOR SEAL

NHCPS is a compact door frame seal which has very good acoustic properties. A very quick and easy seal to install on the door frame and can be used a door jamb in light duty applications. Is adjustable through the concealed fixing slots for a precise fit.

**Min / Max Gap:** 0mm / 10mm

**Location:** Head / Jambs of singles or double butt hinge doors.

**Stocked Seal Sizes:** 1000mm, 2750mm and standard door sets.

**Standard Finish:** Clear Anodised Aluminium.

**Seal Material:** Black Silicon Rubber

**Adjustment:** Fixing holes are slotted for adjustment while fitting the seal.

**Fixing Method:** Phillips head Zinc plated screws are supplied.

#### Applications:

Medium temperature smoke  
Draughts and air flow noise  
Fire

#### Approvals:

**Fire:** Conforms to BCA 2012

Spec. C3.4. Sec 3.2 ( c )

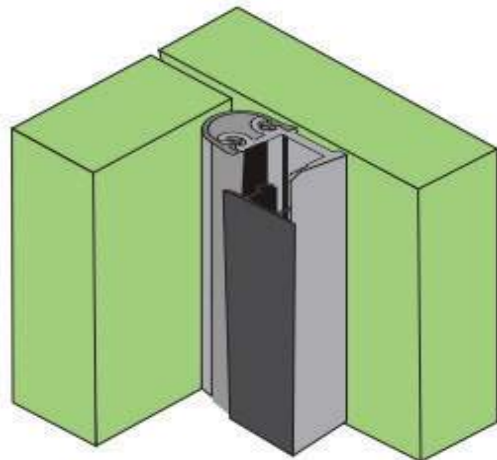
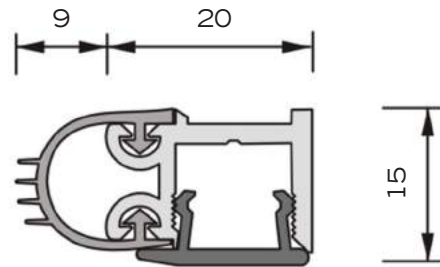
**Deemed to Satisfy Provisions**

**Tested to AS1530.4—2005.**

**Acoustics:** Conforms to Class 2-9 Buildings

BCA 2012 Sec.F5.5 ( b )

**Deemed to Satisfy Provisions**





## PERIMETER DOOR SEALS

### NHSPS SLIMLINE PERIMETER DOOR SEAL

NHSPS is a slimline door frame seal which has very good acoustic properties. A very quick and easy seal to install on the door frame and can be used a door jamb in light duty applications. Is adjustable through the concealed fixing slots for a precise fit. Very quick and easy to install without the need to remove the door.

**Min / Max Gap:** 0mm / 6mm

**Location:** Head / Jambs of singles or double butt hinge doors.

**Stocked Seal Sizes:** 1000mm, 2750mm and standard door sets.

**Standard Finish:** Clear Anodised Aluminium.

**Seal Material:** Grey Silicon Rubber

**Adjustment:** Fixing holes are slotted for adjustment while fitting the seal.

**Fixing Method:** Phillips head Zinc plated screws are supplied. The seal can also be mitred or butt joined.

#### Applications:

Medium temperature smoke  
Draughts and air flow noise  
Fire

#### Approvals:

**Fire:** Conforms to BCA 2012

Spec. C3.4. Sec 3.2 ( c )

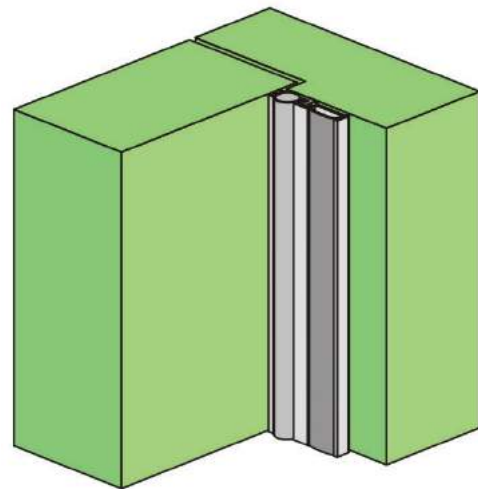
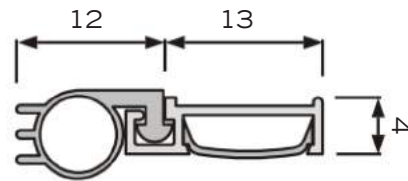
**Deemed to Satisfy Provisions**

**Tested to AS1530.4—2005.**

**Acoustics:** Conforms to Class 2-9 Buildings

BCA 2012 Sec.F5.5 ( b )

**Deemed to Satisfy Provisions**







## PERIMETER DOOR SEALS

### NHBWS—SELF ADHESIVE PERIMETER DOOR SEAL

NHBWS is a PVC extruded acoustic and smoke seal. It is self adhesive and installed in the corner of the door frames, either timber and steel. It is able to be used on new and retrofit applications.

**Min / Max Gap:** 3mm / 6mm

**Location:** Fixed around rebated frames of both single and double broad butt hinged doors and windows.

**Stocked Seal Sizes:** 1000mm, 2750mm and standard door sets.

**Standard Finish:** Black ( PVC )

**Seal Material:** Flexible and Rigid flame retardant PVC, Self adhesive backing tape to both sides of the rigid PVC.

**Fixing Method:** Self Adhesive.

**WARNING:** Surface of frames must be cleaned thoroughly and if painted well cured prior to fixing.

#### Applications:

Medium temperature smoke  
Draughts and air flow noise  
Fire

#### Approvals:

**Fire:** Conforms to BCA 2012

Spec. C3.4. Sec 3.2 ( c )

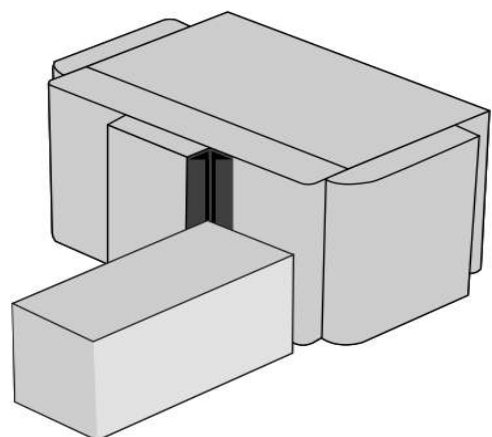
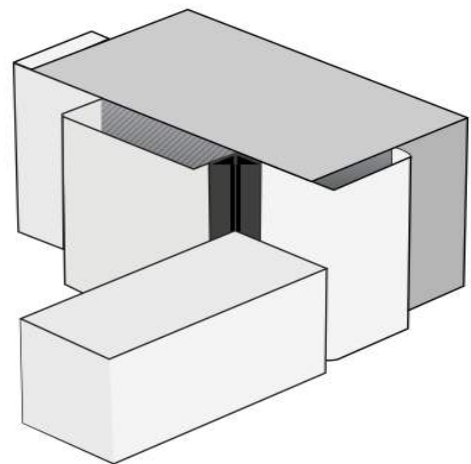
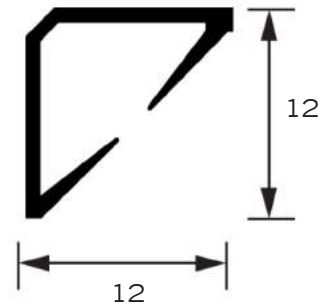
**Deemed to Satisfy Provisions**

**Tested to AS1530.4—2005.**

**Acoustics:** Conforms to Class 2-9 Buildings

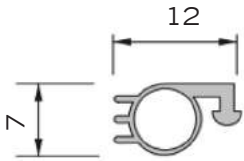
BCA 2012 Sec.F5.5 ( b )

**Deemed to Satisfy Provisions**

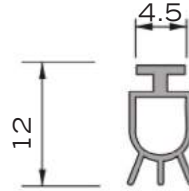




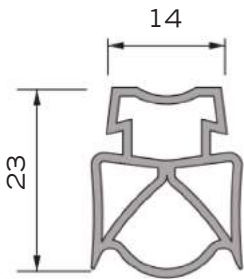
## COMPONENT DIMENSIONS



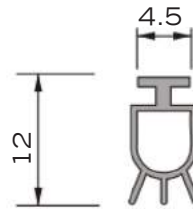
**NHSPS**  
Slimline Perimeter  
Seal Replacement  
Seal.



**NHMDBS**  
Automatic Bottom  
Seal Replacement  
Seal

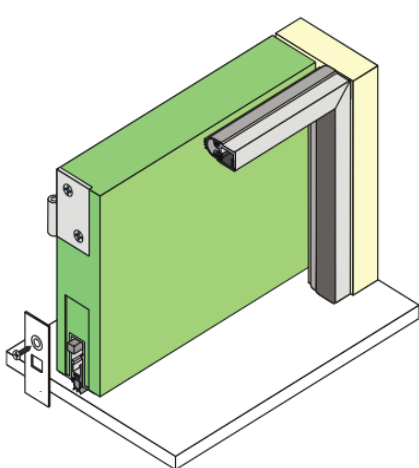


**NHHDBS**  
Automatic Heavy  
Duty Bottom Seal  
Replacement Seal

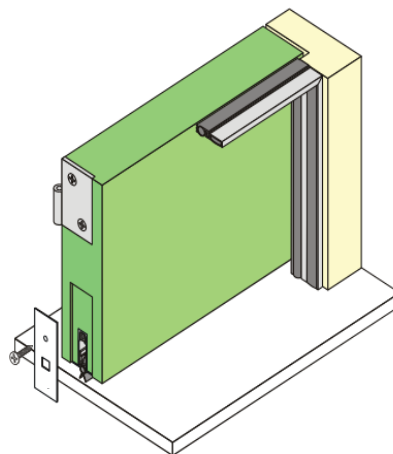


**NHFFDBS**  
Automatic Face Fixed  
Bottom Seal  
Replacement Seal

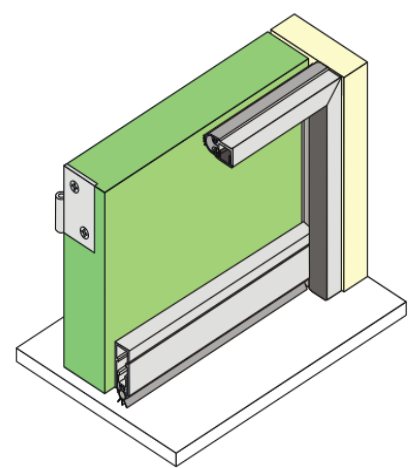
## ACOUSTIC SEALING SYSTEMS



**NHMDBS & NHCPS**  
Automatic Bottom Seal  
& Compact Perimeter  
Seal



**NHMDBS & NHSPS**  
Automatic Bottom Seal  
& Slimline Perimeter  
Seal



**NHMDBS & NHCPS**  
Automatic Face Fixed  
Seal & Compact  
Perimeter Seal



## Novas Terms and Conditions

### 1. CREDIT FACILITIES.

If client account is current and within trading terms, then goods delivered in one month are payable in full by the end of the following month. Novas Architectural. may at any time deny credit, or refuse to complete orders.

### 2. QUOTATIONS.

A request for a quotation must be in writing and fully detailed. A written quotation is valid for thirty days

### 3. CARTAGE, TAXES AND DUTIES.

Unless otherwise agreed, sale prices do not include GST.

A delivery charge of \$25.00 will apply for orders of less than \$250.00 (ex GST).

### 4. RISK AND RETENTION OF TITLE.

Goods sold by Novas Architectural to the customer are at the customer's risk on delivery.

The customer shall store the goods which have not been paid for separately and keep separate records in relation to the proceeds of sale of any goods which have not been paid for. If any goods are used in a manufacturing process or mixed with other materials, the customer shall record the value of goods in relation to each unit of finished product and upon sale of any unit of finished product immediately remit that amount to Novas. If the customer does not pay for any of the goods on the due date specified, Novas is irrevocably authorised by the customer to enter the customer's premises and use such reasonable force to take possession of the goods without any liability for the tort of trespass, negligence or payment of any compensation to the customer whatsoever.

### 5. PART DELIVERY.

Novas Architectural is entitled to progressive payment for progressive goods deliveries.

### 6. STOCK RETURNS AND CREDITS.

Product made to order, or specially manufactured for the Customer is not returnable.

Undamaged stock in its original condition and packaging may be returned to Novas Architectural within 30 days of sale upon approval in writing from Novas Architectural.

The Customer is not entitled to any credit for returns until a Novas Architectural credit note is issued. A restocking fee of 50% of the original purchase price may be deducted from a credit note.

### 7. DEFAULT IN PAYMENT.

The Courts of Victoria in Melbourne applying Victorian law have exhaustive jurisdiction to decide disputes between Novas Architectural and the Customer.

Interest is payable on overdue amounts from the dates they were each first incurred in accordance with section 58 of Supreme Court Act 1986.

### 8. COMPENSATION BY NOVAS ARCHITECTURAL.

If Novas Architectural does not meet its obligations, whether in contract, tort or otherwise, compensation by it is limited at its option to;

- Repairing the faulty goods, or
- Refunding their purchase price.

### 9. SEVERANCE.

If any part of these clauses is unenforceable, all other provisions remain intact.

### 10. WAIVER.

If Novas Architectural fails to enforce its rights from time to time, it is not prevented from insisting on strict performance at a later time.

### 11. COPYRIGHT.

The Customer may use Nova's plans, drawings and specifications within the limits of written Novas Architectural authority; copyright is otherwise reserved to Novas Architectural.

### 12. INTELLECTUAL PROPERTY.

If the customer has provided Novas Architectural with any drawings, sketches, samples or any other materials for the purposes of assisting Novas Architectural in the manufacture of good:

- (a) the customer warrants that it is either the owner or has created those drawings, sketches, and samples or otherwise has obtained appropriate authority to use, have in its possession and licence others to use these drawings, sketches, samples or other materials, and accordingly have not breached any person's or entities intellectual property rights;
- (b) the customer warrants that it will indemnify Novas Architectural from any loss, damage cost (on solicitor/client basis) or any other expenditure by Novas Architectural in relation to the goods or their manufacture, caused by any breach of these terms and conditions;
- (c) the customer acknowledges and agrees that any variation, modification, improvement and derivation to the intellectual property provided to Novas Architectural, whether attributable in whole or in part to Novas Architectural, will become and remain the property of Novas Architectural.

### GUARANTEE

Refer to website [www.novas.com.au](http://www.novas.com.au)

### FINISHES

SSS	Satin Stainless Steel
SC	Satin Chrome Plated
PSS	Polished Stainless Steel
CP	Chrome Plate
AMB	ArmorTec™ Matt Black
AMW	ArmorTec™ Matt White
BS	Blackened Steel
PC	Polyester Powder Coat

**HEAD OFFICE**

Unit 4, 5 Becon Court,  
PO Box 322,  
Hallam Vic 3803 Australia

P. 61 3 9709 3200  
F. 61 3 9702 3595  
E. [sales@novas.com.au](mailto:sales@novas.com.au)

**VIC**

P. 03 9709 3200  
F. 03 9702 3595

**ACT**

P. 02 6280 0812  
F. 02 6280 0813

**QLD**

P. 03 9709 3213  
F. 03 9702 3595

**NZ (Agent)**

P. 64 9 447 3808  
F. 64 9 447 3807

**SA/NT**

P. 08 8363 4706  
F. 08 8362 4480

**NSW**

P. 02 9608 3700  
F. 02 9608 3855

**WA**

P. 08 6150 8779  
F. 08 6150 8776

# LEAD BY DESIGN